

New Product
Announcement

NPA

The All-New H-99



Now Available in Hastelloy and Monel

The all new H-99 has just been given an upgrade. By offering the H-99 valve in Monel and Hastelloy, Ham-Let have been able to broaden the range of applications for this already reliable and high quality needle valve.



H-99 SEVERE SERVICE NEEDLE VALVE

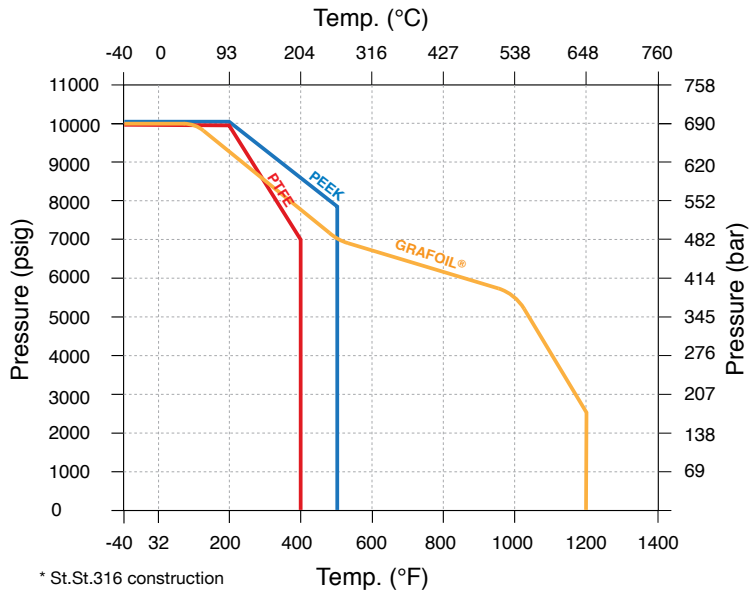
New Product
Announcement

NPA

Monel is a Nickel-Copper alloy that has great resistance to sea water and steam at high temperatures, it is suitable for sulfuric acid, hydrofluoric acid alkylation plants and heat exchangers in a variety of industries as well as in many other applications.

Hastelloy is a Nickel-chromium-molybdenum wrought alloy, it is suitable for sulfuric acid environments, flue-gas de-sulfurization plants, organic chloride processes as well as in many other applications.

PRESSURE TEMPERATURE RATING THREADED END CONNECTION*



MAX. PRESSURE RATING AT 70°F (21°C)

Body Raw Material	Pressure	
	psi	bar
St.St.316 ASTM A-479	10000	690
Hastelloy C276	6000	413
Monel R405	6000	413

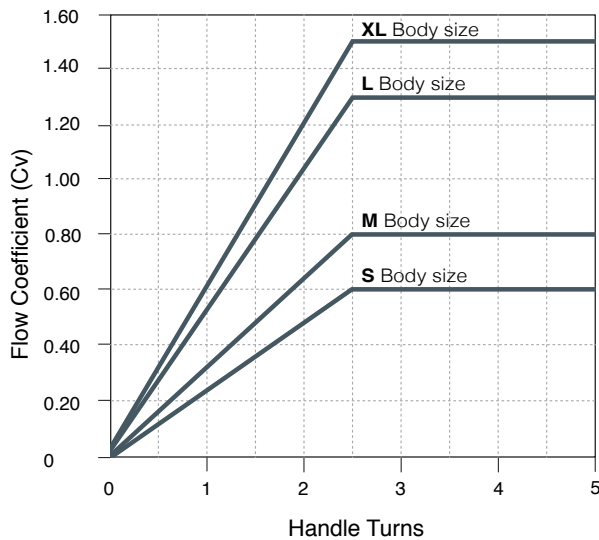
MAX. ALLOWED WORKING TEMPERATURE

Packing Material	Max. Temperature	
	°C	°F
PTFE	204	400
PEEK	260	500
GRAFOIL®	648	1200

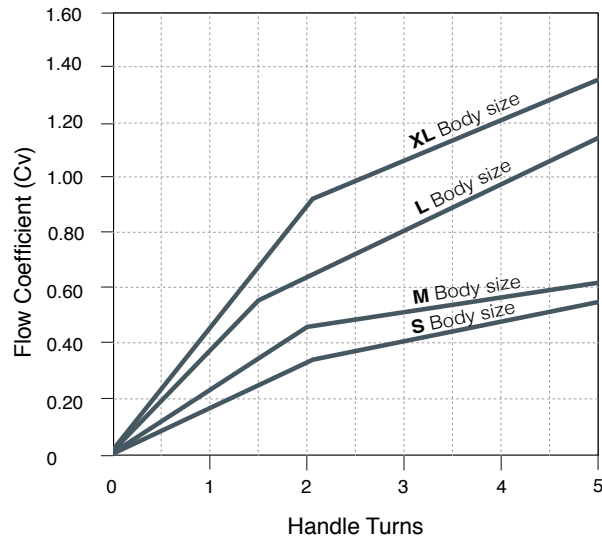
The max. allowable pressure of welded connected valve is limited to the max. allowed working pressure of the tube.

FLOW DATA AT 100°F (37°C)

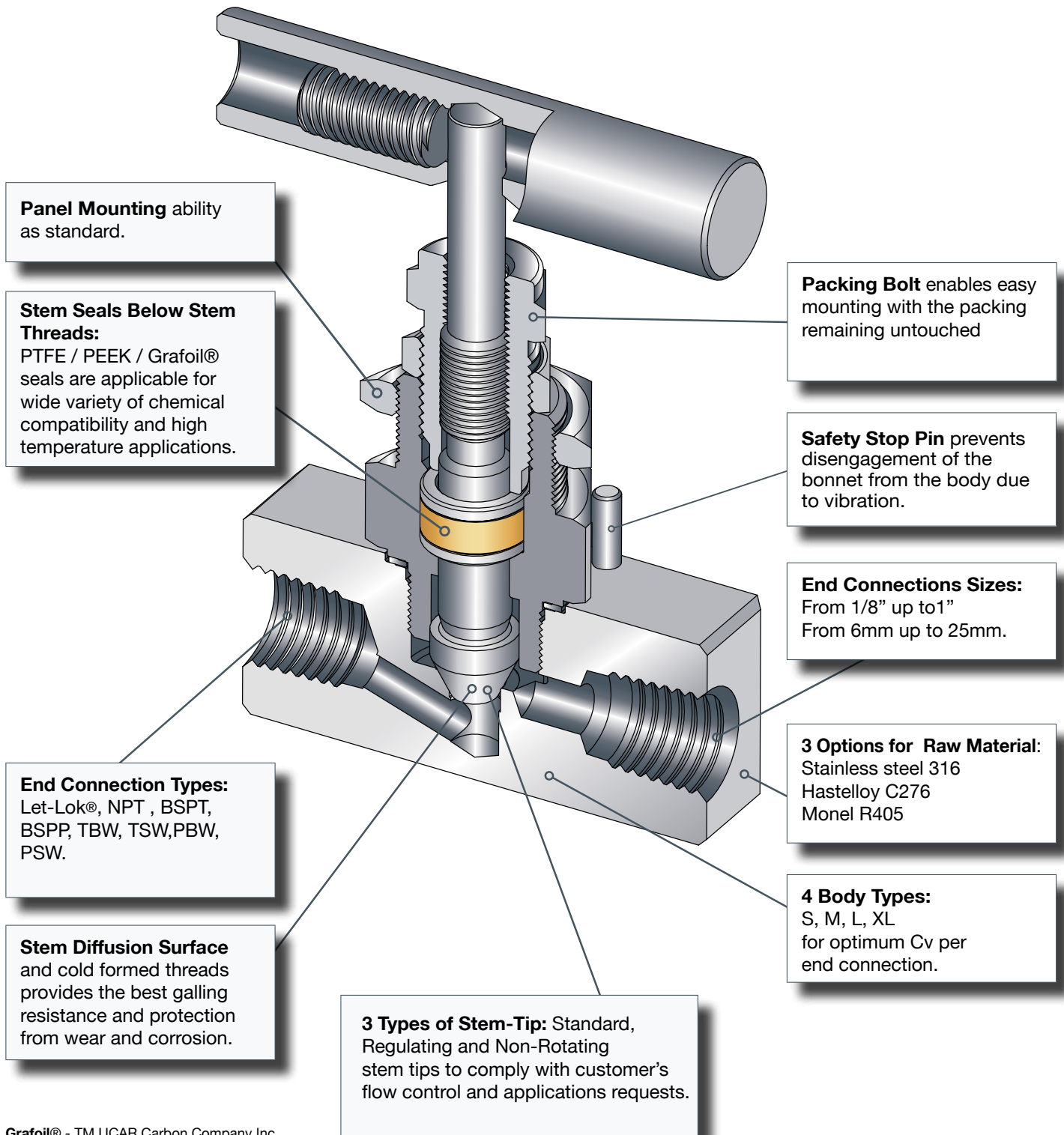
V-STEM / NR-STEM



R-STEM



Grafoil® - TM UCAR Carbon Company Inc



Grafoil® - TM UCAR Carbon Company Inc



H-99 SERIES ORDERING INFORMATION

H-99 - **L** - **00** - **SS** - **L** - **V** - **1/2** - **OPTIONAL**

Body Designator	Valve Type	Material	End Connection Type	Stem	Size	Packing
S - Small	00 - LET-LOK® End	SS -St.St. 316	L - LET-LOK®	V - V Stem	1/4 6MM	Blank - PTFE
M - Medium	10 - Female End	HC -Hastelloy C276	N - Threaded NPT	R - Regulating Stem	3/8 8MM	PK - PEEK
L - Large	15 - Female to Male End	M -Monel R405	R - ISO Taper	NR - Non Rotating	1/2 10MM	G - Grafoil®
XL - Extra Large	80 - Male End		G - ISO Parallel		3/4 12MM	
	85 - Male to Female End		TBW - Tube Butt-Weld		1" 25MM	
			TSW - Tube Socket-Weld			
			PBW - Pipe Butt-Weld (Schedule 40)			
			PSW - Pipe Socket Weld			
						Treatment
						BLANK - Standard Cleaning & Passivation
						OC - Oxygen Clean
						LF - Lubricant Free

Grafoil® - TM UCAR Carbon Company Inc



HAM-LET USA
12565 West Airport Blvd.
Sugar Land,
Texas 77478
Tel: +1 281 5664900
Fax: +1 281 5664910
e-mail: usa@ham-let.com



HAM-LET UK
Unit 1, Lindfield Enterprise Park
Lewes Road, Lindfield
Haywards Heath, West Sussex
RH16 2LH
Tel: +44 1444 487555
Fax: +44 1444 487666
e-mail: uk@ham-let.com



HAM-LET France
Siège Social, Park Avenir
Zone de Sacuny
Avenue Marcel Merieux
bâtiment B7, 69530, BRIGNAIS
Tel: +33 4 78950342
Fax: +33 4 72310576
e-mail: france@ham-let.com



HAM-LET Russia
125319 Moscow,
Chernyakhovskogo Str.
16, office 1100 Ham-Let LLC
Tel: +7 495 6516238
Fax: +7 495 6516238
e-mail: russia@ham-let.com



HAM-LET Canada
3190 Ridgeway Drive, Unit 33
Mississauga, Ontario, L5L 5S8
Tel: +1 905 6089996
Fax: +1 905 6088661
e-mail: canada@ham-let.com



HAM-LET Germany
Dornacher Strasse 3a
D-85622 Feldkirchen
Tel: +49 89 90778060
Fax: +49 89 90778070
e-mail: gmbh@ham-let.com



HAM-LET BENELUX B.V.
Industrieweg 30, 7944 HS,
Meppel, The Netherlands
Tel: +31 522237049
Fax: +31 522237040
e-mail: benelux@ham-let.com



HAM-LET Singapore
61 Bukit Batok Crescent #02-01 & #02-02
Heng Loong Building,
Singapore 658078
Tel: +65 62578313
Fax: +65 62578315
e-mail: singapore@ham-let.com



HAM-LET Motoyama Japan (HMJ)
TSI Hakozaki Bldg. 4F,
20-5, Hakozaki-cho, Nihonbashi,
Chuo-ku, Tokyo, 103-0015
Tel: +81 3 36685321
Fax: +81 3 36647027
e-mail: hmj@ham-let.com