

TOGGLE VALVES | H1200 SERIES



FEATURES

- Compact rugged design
- Stainless Steel and Brass Construction
- Panel mountable
- Quick On/Off service
- Straight and angle patterns available
- Sizes: 1/8" & 1/4"
- LET-LOK®, male and female NPT ends
- MAWP 300 psig (20 Bar) at 20°C (70°F)
- Temperature rating: -20°F to 200°F (-28°C to 93°C)
- Flow coefficient (Cv) 0.11 to 0.2
- Colored Nylon Handles

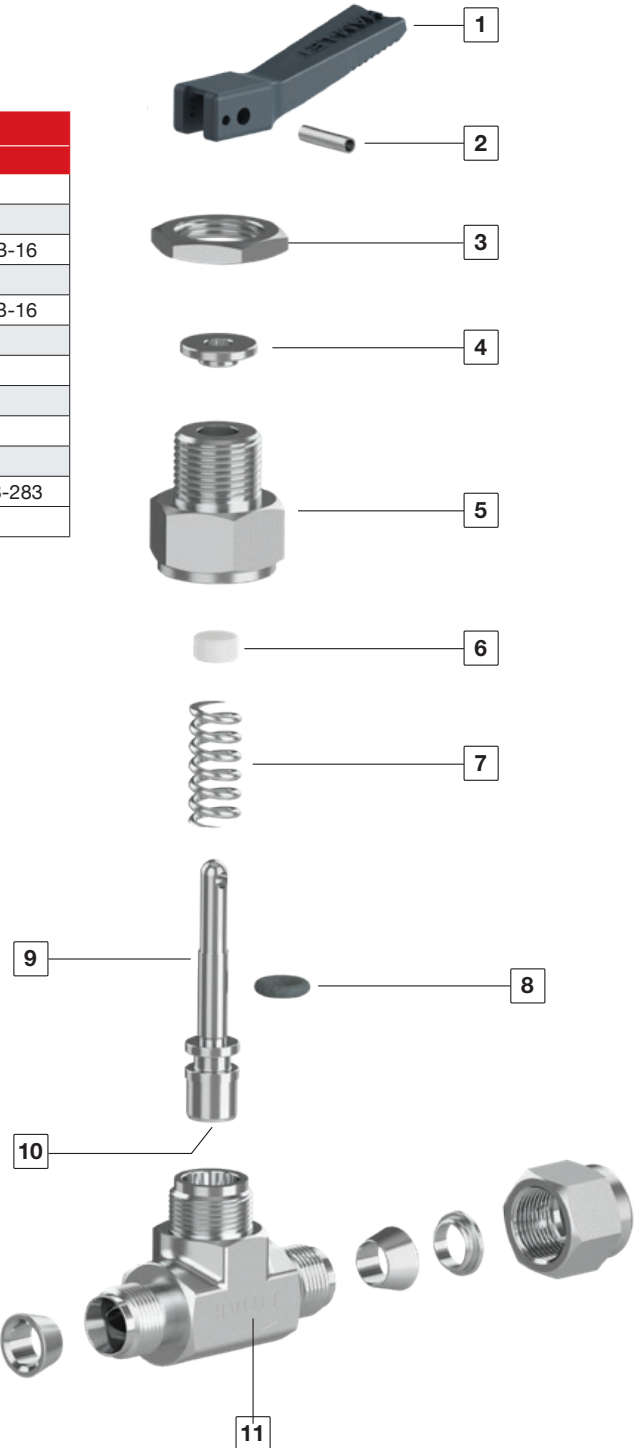
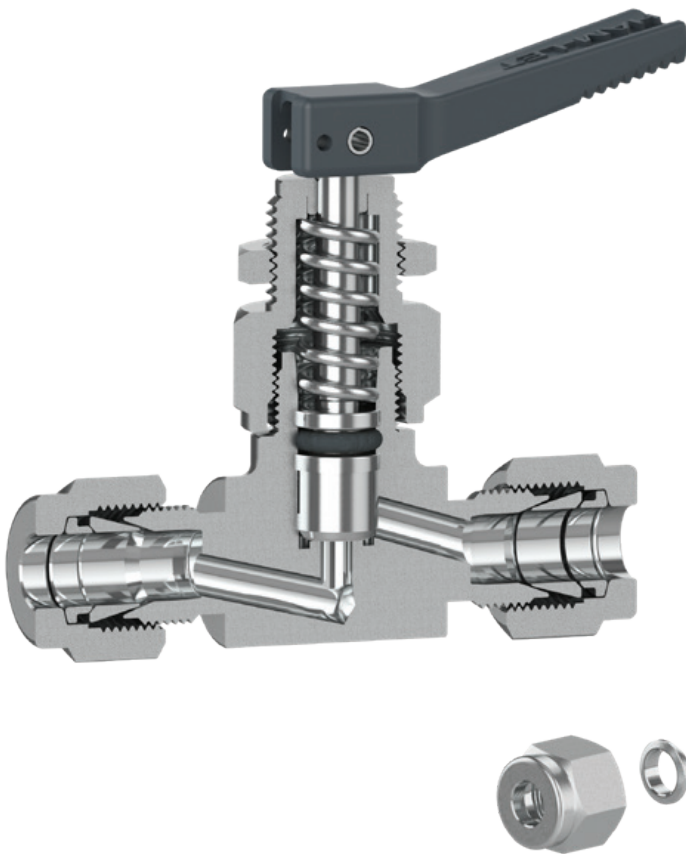
GENERAL

The H-1200 Series standard toggle valve is a compact design for normally closed and quick on/off service. Moving the handle 90 degrees upwards opens the valve to full flow and stops it firmly in the open position. Shifting the handle position downwards shuts off the valve by spring return. The PTFE soft seat at the tip of the stem provides a positive repetitive seal.

MATERIALS OF CONSTRUCTION

Item	Components	Qty.	Valve Body Material	
			316 St.St.	Brass
1	Handle	1	Nylon	
2	Roll Pin	1	St.St. 420 SS	
3	Panel Nut	1	St.St. ASTM A-276	Brass ASTM B-16
4	Washer	1	Nylon	
5	Packing Nut	1	St.St. ASTM A-276	Brass ASTM B-16
6	Thrust Washer	1	N/A	Nylon
7	Spring	1	302SS / A313	
8	*O-ring	1	Fluorocarbon FKM	
9	*Stem	1	St.St. ASTM A-276	
10	*Stem Seat	1	PTFE	
11	*Body	1	St.St. ASTM A-182	Brass ASTM B-283
	Lubricant		Silicone based and PTFE based	

* Wetted parts

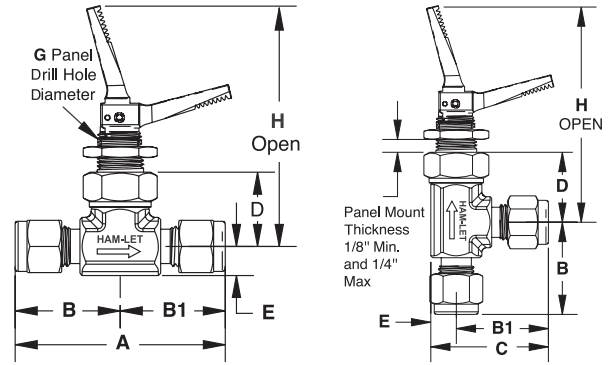


TESTING

All H-1200 Series designs have been tested and approved for burst and proof. All valves are factory tested with Nitrogen pressure at 300 psig (20.7 bar) for shell, stem and across-the-seat leak detection. Each valve is tested for leak tight performance.

CLEANING & PACKAGING

Every H-1200 series needle valve is cleaned in accordance with Standard Cleaning and Packaging (procedure 8184). Oxygen Clean & Lubricant Free Cleaning and packaging, in accordance with Special Cleaning and Packaging (procedure 8185), is available as an option.



STANDARD CONFIGURATION DIMENSIONS

End connection		Cv	Orifice		A		B		B1		C		D		E		G		H (Open)	
Type	Size		mm	in	mm	in	mm	in	mm	in	mm	in	mm	in	mm	in	mm	in	mm	in
Female NPT	1/8	0.20	3.28	0.13	41.2	1.66	20.6	0.81	20.6	0.81	N/A	N/A	21.8	0.85	7.95	0.31	13.5	0.53	65.5	2.57
Male NPT	1/8	0.11	2.50	0.10	43.7	1.72	21.8	0.86	21.9	0.86	29.7	1.17								
Male NPT	1/4	0.20	3.28	0.13	49.8	1.96	24.9	0.98	24.9	0.98	32.8	1.29								
Let-Lok®	1/8	0.11	2.30	0.09	49.8	1.96	24.9	0.98	24.9	0.98	32.8	1.29								
Let-Lok®	1/4	0.20	3.28	0.13	57.4	2.26	28.7	1.13	28.7	1.13	36.5	1.44								
Male to Let-Lok®	1/4	0.20	3.28	0.13	53.6	2.11	24.9	0.98	28.7	1.13	32.8	1.29								

Dimensions are for reference only and are subject to change without notice.

H-1200 SERIES ORDERING INFORMATION

H - 12 00 - SS - N - 1/8 - A - RH - [OPTIONAL]

Valve Series	Body Material	Size Designator	Handle Type	O-ring Material
12 - LET-LOK® Ends	SS - 316 SS	3 mm 1/8	BLANK - Black Nylon Handle	BU - Buna N
00 - LET-LOK® Ends	B - Brass	6 mm 1/4	RH - Red Nylon Handle	EP - EPDM
80 - Male NPT Ends	End Connection	Pattern Designator	BH - Blue Nylon Handle	NE - Polychloroprene (CR)
95 - Male to LET-LOK® Ends	L - LET-LOK®	BLANK - Straight	YH - Yellow Nylon Handle	KZ - Perfluor
	N - NPT	A - Angle	GH - Green Nylon Handle	Fluorocarbon FKM O-ring is standard
			OH - Orange Nylon Handle	Treatment
				BLANK - Standard Cleaning & Passivation
				OC - Oxygen Clean
				LF - Lubricant Free
				SF - Silicone Free

HANDLE KIT

Z - 1200 - SK - 1/4 - VI

Body Designator per End Connection	O-ring Material
1/4 for all end connections	VI - Fluorocarbon FKM
	BU - Buna N
	EP - EPDM
	NE - Polychloroprene (CR)
	KZ - Perfluor

HANDLE KIT

Z - 1200 - HK - 1/4 - S

Body Designator per End Connection	Handle Type
1/4 for all end connections	S - Black Nylon Handle
	R - Red Nylon Handle
	B - Blue Nylon Handle
	Y - Yellow Nylon Handle
	G - Green Nylon Handle
	O - Orange Nylon Handle

H-1200U | 2019_Rev00

